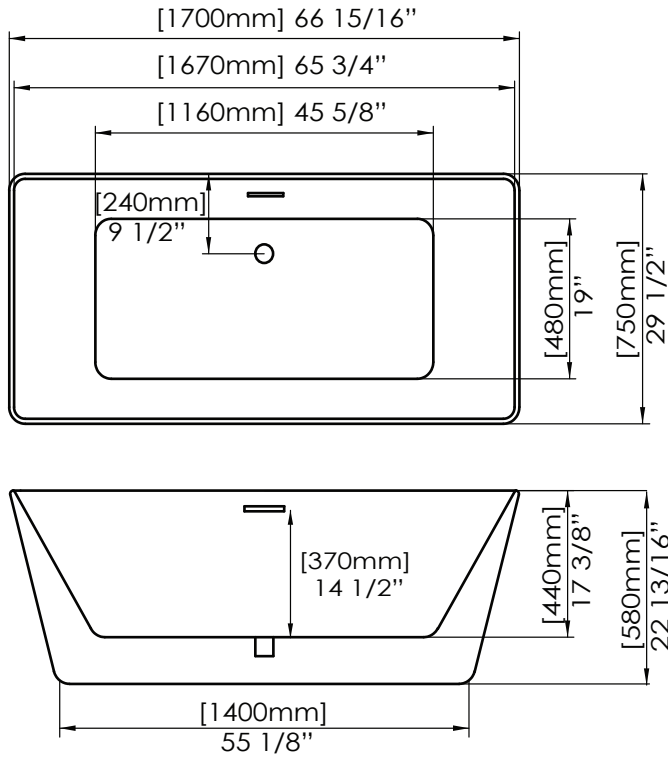




**A&E Bath and Shower**

6400A St. Jacques West  
 Montrea, QC, Canada  
 H4B 1T6  
 www.aebath.com

Model Modèle: **Ubx!B**  
 Freestanding bathtub *Baignoire*  
*autoportante*



\* Dimensions may vary +/- 1/4" (6mm) / Les dimensions peuvent varier de +/- 1/4" (6mm)

gallons to overflow /	78 gal.
packaging dimension /	69 x 31 1/2 x 25 in
approximated weight /	100 lbs
weight with water /	750 lbs
bathing well at sump /	45 5/8 x 19 in
bathing well at rim /	65 3/4 x 28 3/8 in

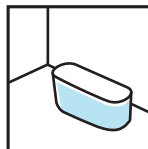


**Compliance Certifications:**

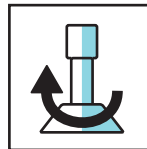
Uniform Plumbing Code  
 National Plumbing Code of Canada  
 CSA B45.5-17/IAPMO Z124-2017



Pure acrylic construction reinforced by fiberglass  
*Construction en acrylique renforcée de fibre de verre*



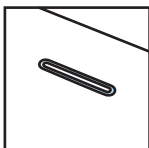
Freestanding installation  
*Installation autoportante*



Adjustable feet  
*Pattes ajustables*



Chrome drain included  
*Drain chrome inclus*



Integrated chrome linear overflow  
*Trop plein linéaire chrome intégré*



CUPC certified  
*Certifié CUPC*